

[www.ersatzteil-service.de](http://www.ersatzteil-service.de)

[www.ersatzteilplan.de](http://www.ersatzteilplan.de)

# IBEA

Serie: dal n. 891501

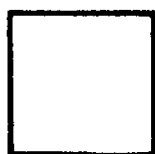
Stampato n. P5090021

**LISTA RICAMBI**

**SPARE PART LIST**

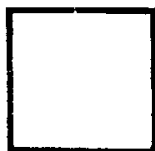
**ERSATZTEILLISTE**

**LISTE DES PIECES DE RECHANGE**



**TOSAERBA  
SERIE 420**


**mod. ENDURO  
mod. COUNTRY**



[Ihr Ersatzteilspezialist im Internet](#)

| Ref. N° | Part. N° | Qty. | Descrizione          | Description     | Description   | Beschreibung        |
|---------|----------|------|----------------------|-----------------|---------------|---------------------|
| 1       | P5140516 | 1    | DECALCO              | LABEL           | MARQUAGE      | AUFKLEBER           |
| 2       | P5140515 | 1    | DECALCO              | LABEL           | MARQUAGE      | AUFKLEBER           |
| 3       | P5140438 | 1    | DECALCO              | LABEL           | MARQUAGE      | AUFKLEBER           |
| 4       | P5140458 | 1    | DECALCO              | LABEL           | MARQUAGE      | AUFKLEBER           |
| 5       | P5140503 | 1    | DECALCO              | LABEL           | MARQUAGE      | AUFKLEBER           |
| 6       | P5140109 | 1    | DECALCO              | LABEL           | MARQUAGE      | AUFKLEBER           |
| 7       | P5140110 | 1    | DECALCO              | LABEL           | MARQUAGE      | AUFKLEBER           |
| *       | P5090016 | 1    | MANUALE ISTRUZIONI   | OPERATOR MANUAL | MODE D'EMPLOI | BEDIENUNGSANLEITUNG |
| *       | P5110005 | 1    | CHIAVE CANDELA B&S   | KEY B&S         | CLEF B&S      | SCHLÜSSEL B&S       |
| *       | P5110008 | 1    | CHIAVE CANDELA TECNA | KEY TECNA       | CLEF TECNA    | SCHLÜSSEL TECNA     |





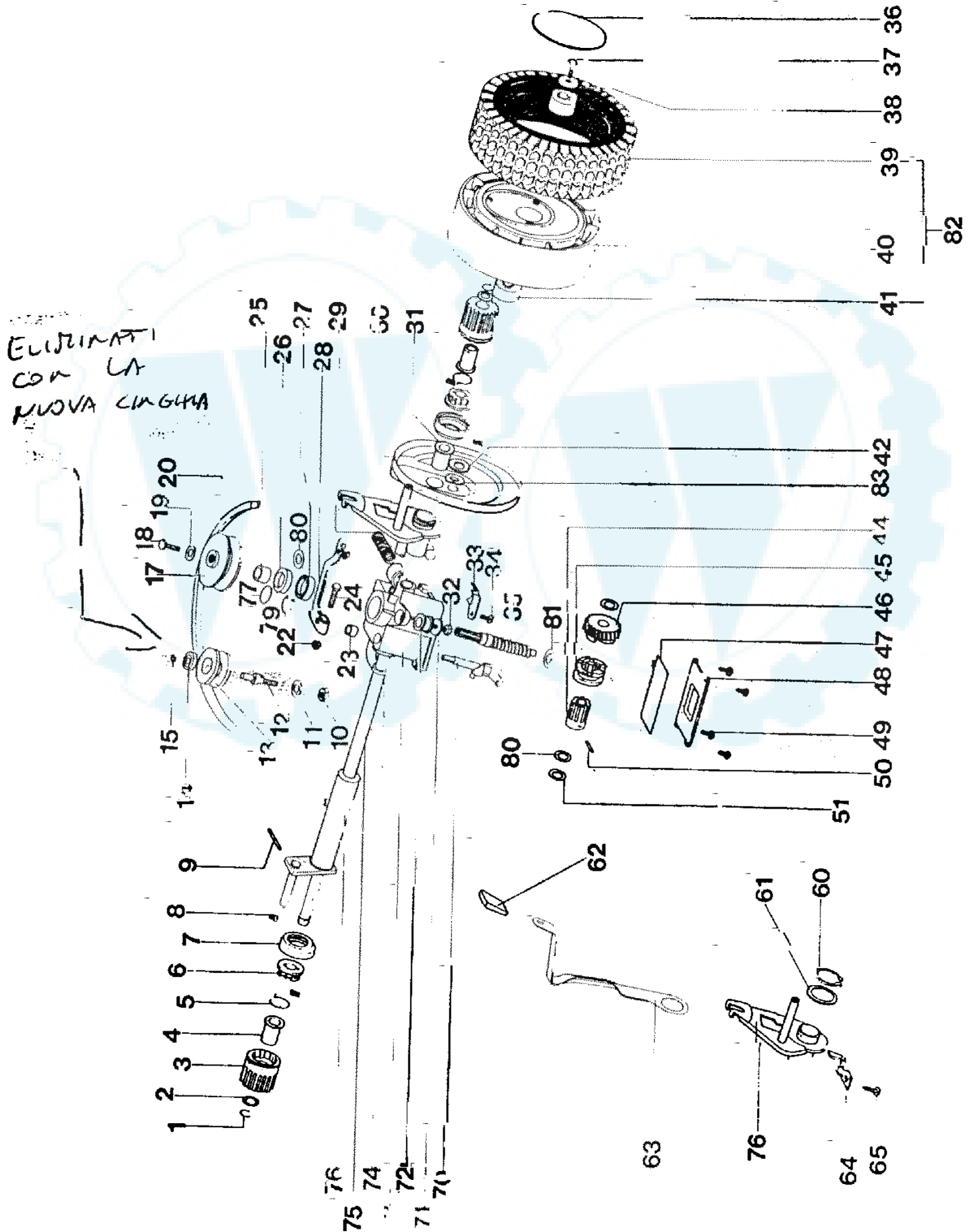
|  |   |  |  |
|--|---|--|--|
| <b>WARNING DANGER!</b>   | <b>ATTENZIONE PERICOLO!</b>   | <b>VORSICHT, GEFAHR!</b>   | <b>ATTENTION DANGER!</b>   |
| Blade rotates when engine is running. Only use the mower with grass catcher in place or with safety chute door closed. Disconnect high tension wire from spark plug before performing any repairs or maintenance to the machine. | La lama gira durante il motore in moto. Usare il mocio solo con il sacco di raccolta montato oppure con il portello di sicurezza chiuso. Prima di ogni riparazione o manutenzione della macchina. | Rotierende Messer bei laufendem Motor benutzen. Sibir Mäher nur mit Rückschlagvorrichtung. Grassammel- oder abschütteren. Schutzhaube vor Reparatur oder Servicearbeiten an Zündkerze entfernen! | Couteau en rotation lorsque le moteur marche. Ne mowez la tondeuse qu'avec le collecteur d'herbe monté ou avec le clapet de protection fermé. Avant de faire une réparation ou des travaux de service à la tondeuse, il faut absolument empêcher le câble d'allumage de la bougie. |



| Ref. N° | Part. N°  | Qty. | Descrizione                                 | Description                            | Description  | Beschreibung          |
|---------|-----------|------|---|--|--|-----------------------|
|         | P01011066 | 1    | TELAIO                                      | BAG FRAME                              | MONTURE  |                       |
|         | P00012066 | 1    | SACCO                                       | BAG                                    | SAC RAMASSE-GAZON  |                       |
|         | —         | 1    | MOTORE                                      | ENGINE                                 | MOTEUR   |                       |
|         | P1050011  | 3    | DADO  | HEX NUT                                | ECROU  |                       |
|         | P5120028  | 1    | PROTEZIONE MARMITTE<br>BVS 143 - BVS 153 ES | MUFFLER SHIELD<br>BVS 143 - BVS 153 ES | PROTECTION POUR BOÎTE<br>D'ÉCHAPPEMENT<br>BVS 143 - BVS 153 ES |                       |
| 5       | P5120027  | 1    | PROTEZIONE MARMITTE<br>QUANTUM              | MUFFLER SHIELD<br>QUANTUM              | PROTECTION POUR BOÎTE<br>D'ÉCHAPPEMENT<br>QUANTUM              |                       |
| 6       | —         | —    | VEDI TAV. 4-5-6                             | SEE FIG. 4-5-6                         | VOIR TABLE NR. 4-5-6   | SIEHE BILD NR. 4-5-6  |
| 7       | 1010026A1 | 2    | VITE  | SCREW                                  | VIS  | SCHRAUBE              |
| 8       | 2020050A1 | 2    | GALLETTO                                    | KNOB                                   | POIGNÉE  | MUTTER                |
| 9       | P2040012  | 2    | GOMMINO                                     | STRIP                                  | JOINT  | DICHTUNG              |
| 10      | P02070266 | 2    | STEGOLA INFERIORE                           | LOWER HANDLE BAR                       | GRUIDE INF.  | LENKER UNTERTEIL      |
| 11      | 2020050A1 | 2    | GALLETTO                                    | KNOB                                   | POIGNÉE  | MUTTER                |
| 12      | 1020014A1 | 2    | RONDELLA                                    | WASHER                                 | RONDELLE   | SCHRAUBE              |
| 13      | P2040011  | 2    | GOMMINO                                     | RUBBER TUBE                            | TUBE DE PROTECTION   | SCHUTZHÜLLE           |
| 14      | P3020011  | 1    | MOLLA                                       | SPRINE                                 | RESSORT  | FEDER                 |
| 15      | P01027066 | 1    | ASTINA                                      | SHAFT                                  | ARBRE  | ACHSE                 |
| 16      | P1060004  | 2    | STARLOCK                                    | STARLOCK                               | STARLOCK   | SICHERUNGSSCHEIBE     |
| 17      | P2020092  | 1    | PORTELLO                                    | SHIELD                                 | PROTECTION   | KLAPPE                |
| 20      | P2020089  | 1    | COPRICINGHIA                                | BELTGUARD                              | PROTECTION   | RIEMENABDECKUNG       |
| 21      | P1010061  | 2    | VITE  | SCREW                                  | VIS  | SCHRAUBE              |
| 22      | P01032166 | 1    | PIASTRA                                     | PLATE                                  | SEMELLE  | VERSTÄRKUNG           |
| 23      | P1020064  | 4    | RIVETTO                                     | RIVET                                  | RIVET  | FLACHKOPFNIE          |
| 24      | P01032066 | 1    | PIASTRA                                     | PLATE                                  | SEMELLE  | VERSTÄRKUNG           |
| 25      | P3040087  | 2    | BUSSOLA                                     | BUSHING                                | DOUILLE  | BÜCHSE                |
| 26      | P2020077  | 1    | POMELLO                                     | KNOB                                   | POIGNÉE  | ABDECKUNG             |
| 27      | P00046066 | 1    | LEVA  | LEVER                                  | LEVIER   | HEBEL                 |
| 28      | P2020062  | 2    | COPRIMOZZO                                  | OUTER WHEEL COVER                      | COUVERCLE  | RADDECKEL             |
| 29      | 1010018A1 | 2    | VITE  | SCREW                                  | VIS  | SCHRAUBE              |
| 30      | 1020007A1 | 2    | RONDELLA                                    | WASHER                                 | RONDELLE   | SCHIBE                |
| 31      | P2020078  | 2    | COPERTONE                                   | TYRE                                   | PNEU   | REIFEN                |
| 32      | P2020079  | 2    | CERCHIO                                     | RIM                                    | JANTE  | FELGE                 |
| 33      | P3030013  | 4    | CUSCINETTI                                  | BEARING                                | PALIER   | LAGER                 |
| 34      | P2020071  | 2    | COPRIRUOTA                                  | WHEEL COVER                            | PROTECTION   | ABDECKUNG             |
| 35      | P2020088  | 2    | DISTANZIALE                                 | SPACER                                 | DOUILLE  | DISTANZBÜCHSE         |
| 36      | P1020050  | 2    | RONDELLA ELASTICA                           | SPRING WASHER                          | RONDELLE ÉLASTIQUE   | FEDERSCHIBE           |
| 37      | P1010088  | 1    | VITE  | SCREW                                  | VIS  | SCHRAUBE              |
| 38      | 1020015A1 | 1    | RONDELLA                                    | WASHER                                 | RONDELLE   | SCHIBE                |
| 39      | P1020062  | 1    | RONDELLA                                    | WASHER                                 | RONDELLE   | SCHIBE                |
| 40      | P4050020  | 1    | LAMA  | BLADE                                  | COUTEAU  | MESSER                |
| 41      | P3040101  | 1    | BUSSOLA LAMA Ø 25                           | BLADE BUSHING                          | DOUILLEDE COUTEAU  | MESSERBÜCHSE          |
| 41      | P3040102  | 1    | BUSSOLA LAMA Ø 22,2                         | BLADE BUSHING                          | DOUILLEDE COUTEAU  | MESSERBÜCHSE          |
| 42      | P3040099  | 1    | DISTANZIALE                                 | SPACER                                 | DOUILLE  | DISTANZBÜCHSE         |
| 43      | P1090003  | 1    | CHIAVETTA QUANTUM                           | KEY QUANTUM                            | CLAVETTE QUANTUM   | SCHLÜSSEL QUANTUM     |
| 43      | 1090001A1 | 1    | CHIAVETTA BVS 143-153                       | KEY BVS 143-153                        | CLAVETTE BVS 143-153   | SCHLÜSSEL BVS 143-153 |
| 44      | P01030366 | 1    | ASSALE ANTER                                | FRONT AXLE                             | ARBRE AVANT  | ACHSE VORN            |
| 45      | P3040086  | 2    | PERNO                                       | BOLT                                   | BOULON   | BOLZEN                |
| 46      | P1010093  | 3    | VITE×BVS                                    | SCREW×BVS                              | VIS×BVS  | SCHRAUBE×BVS          |
| *       | P1010094  | 2    | VITE×QUANTUM                                | SCREW×QUANTUM                          | VIS×QUANTUM  | SCHRAUBE×QUANTUM      |
| 47      | P3040085  | 1    | VITE×QUANTUM                                | SCREW×QUANTUM                          | VIS×QUANTUM  | SCHRAUBE×QUANTUM      |
| 48      | 1020009A1 | 3    | BUSSOLA                                     | BUSHING                                | DOUILLE  | BÜCHSE                |
| 49      | P2020091  | 2    | RONDELLA                                    | WASHER                                 | RONDELLE   | SCHIBE                |
| 50      | P02005066 | 2    | DADO  | HEX NUT                                | ECROU  | MUTTER                |
| 51      | P2020091  | 3    | RONDELLA                                    | WASHER                                 | RONDELLE   | SCHIBE                |
| 52      | P02005066 | 3    | BUSSOLA                                     | BUSHING                                | DOUILLE  | BÜCHSE                |
| 53      | P00015181 | 1    | SCOCCA                                      | DECK                                   | CHÂSSIS  | GEHÄUSE               |
| *       | P00010066 | —    | RUOTA COMPLETA                              | WHEEL ASSY                             | ROVE COMPL.  | RAD. COMPL.           |
|         |           | —    | CESTELLO COMPLETO                           |  |  |                       |

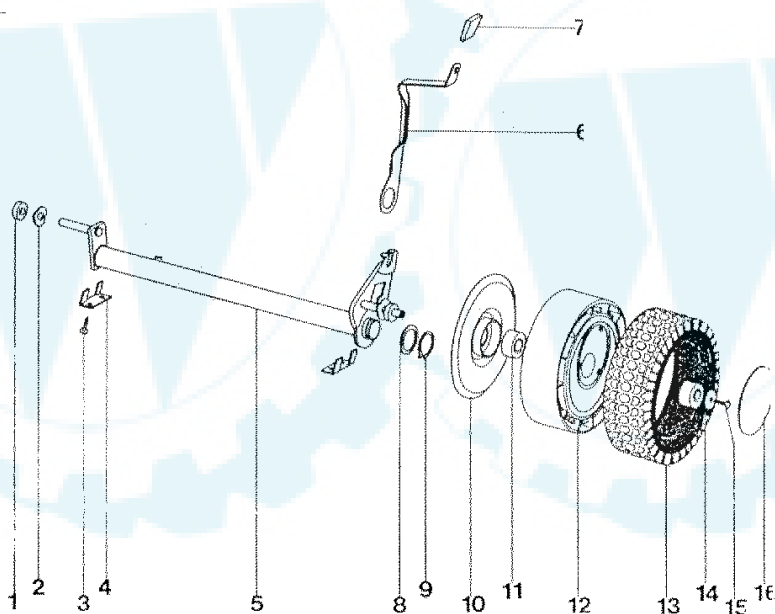
Tav. 2

Vista assale posteriore e riduttore COUNTRY  
Rear axle and gear box COUNTRY  
Essieu arrière et transmission COUNTRY  
Hinterachse und Getriebe COUNTRY



| Ref. N° | Part. N°  | Qty. | Descrizione        | Description      | Description        | Beschreibung     |
|---------|-----------|------|--------------------|------------------|--------------------|------------------|
| 1       | 1070001A1 | 2    | SEEGER             | CIRCLIP          | ANNEAU SEEGER      | SEEGERRING       |
| 2       | 1020020A1 | 2    | SPESSORE           | SHIM WASHER      | RONDELLE           | AUSGLEICHSCHIBE  |
| 3       | P3050031  | 2    | PIGNONE            | PINION           | PIGNON             | RITZEL           |
| 4       | P2020059  | 2    | BUSSOLA            | BUSHING          | DOUILLE            | BÜCHSE           |
| 5       | P3020012  | 2    | MOLLA              | SPRING           | RESSORT            | FEDER            |
| 6       | P2100001  | 2    | CRICCHETTO         | DRIVER           | ENTRAINEUR         | MITNEHMER        |
| 7       | P2020060  | 2    | COPRIPIGNONE       | CAGE             | CAGE               | KAFIG            |
| 8       | P2110001  | 4    | SALTERELLO         | CAM              | CLIQUET            | NOCKEN           |
| 9       | P1080004  | 2    | SPINA              | PIN              | COUPILLE           | STIFT            |
| 10      | P1050011  | 1    | DADO               | NUT              | ECROU              | MUTTER           |
| 11      | 1020008A1 | 1    | RONDELLA           | WASHER           | RONDELLE           | SCHIBE           |
| 12      | P3040094  | 1    | PERNO              | BOLT             | BOULON             | BOLZEN           |
| 13      | P3040063  | 1    | PULEGGIA           | PULLEY           | POULIE             | RIEMENSCHIBE     |
| 14      | P3030014  | 1    | CUSCINETTO         | BEARING          | PALIER             | LAGER            |
| 15      | P1060006  | 1    | STARLOCK           | STARLOCK         | STARLOCK           | SICHERUNGSSCHIBE |
| 17      | P3040048  | 1    | PULEGGIA           | PULLEY           | POULIE             | RIEMENSCHIBE     |
| 18      | 1010018A1 | 1    | VITE               | SCREW            | VIS                | SCHRAUBE         |
| 19      | 1020007A1 | 1    | RONDELLA           | WASHER           | RONDELLE           | SCHIBE           |
| 20      | P3010013  | 1    | CINGHIA            | BELT             | COURROIE           | KEILRIEMEN       |
| 22      | 1050003A1 | 1    | DADO               | NUT              | ECROU              | MUTTER           |
| 23      | P3170012  | 1    | PARAOLIO           | OIL SEAL         | JOINT D'ARBRE      | WELLENDICHRING   |
| 24      | P1010075  | 1    | VITE               | SCREW            | VIS                | SCHRAUBE         |
| 25      | P3040049  | 1    | DISTANZIALE        | SPACER           | RONDELLE           | DISTANZRING      |
| 26      | P3170010  | 1    | PARAOLIO           | OIL SEAL         | JOINT D'ARBRE      | WELLENDICHRING   |
| 27      | P3030010  | 1    | CUSCINETTO         | BEARING          | POLIER             | LAGER            |
| 28      | P4070011  | 1    | LEVA               | LEVER            | LEVIER             | HEBEL            |
| 29      | P3020010  | 1    | MOLLA              | SPRING           | RESSORT            | FEDER            |
| 30      | P4030011  | 2    | COPRIRUOTA         | WHEEL COVER      | PROTECTION         | ABDECKUNG        |
| 31      | P2020070  | 2    | BUSSOLA            | BUSHING          | DOUILLE            | BÜCHSE           |
| 32      | P1010104  | 1    | VITE 6x19          | SCREW 6x19       | VIS 6x19           | SCHRAUBE 6x19    |
| 33      | P4030010  | 1    | COPERCHIO MOLLA    | COVER            | COUVERCLE          | DECKEL           |
| 34      | P1010076  | 1    | VITE               | SCREW            | VIS                | SCHRAUBE         |
| 35      | P3040042  | 1    | VITE SENZA FINE    | WORM GEAR        | VIS SANS FIN       | SCHNECKE         |
| 36      | P2020062  | 2    | COPRIMOZZO         | COVER            | COUVERCLE          | RADDECKEL        |
| 37      | 1010018A1 | 2    | VITE               | SCREW            | VIS                | SCHRAUBE         |
| 38      | 1020007A1 | 2    | RONDELLA           | WASHER           | RONDELLE           | SCHIBE           |
| 39      | P2020078  | 2    | COPERTONE          | TYRE             | PNEU               | REIFEN           |
| 40      | P2020081  | 2    | GERCHIO            | RIM              | JANTE              | FELGE            |
| 41      | P3030013  | 4    | CUSCINETTO         | BEARING          | PALIER             | LAGER            |
| 42      | P2020088  | 2    | DISTANZIALE        | SPACER           | DOUILLE            | DISTANZBÜCHSE    |
| 44      | P3050030  | 1    | BUSSOLA SCANALATA  | BUSHING          | DOUILLE CANNELÉE   | KEILHÜLSE        |
| 45      | P00038099 | 1    | INNESTO            | SELECTOR COLLAR  | MANCHON            | SCHALTMUFFE      |
| 46      | P00038199 | 1    | CORONA             | WORM WHEEL       | ROUE P. VIS S. FIN | SCHNECKENRAD     |
| 47      | P3170014  | 1    | OR                 | O-RING           | JOINT TORIQUE      | O-RING           |
| 48      | P4110001  | 1    | COPERCHIO          | COVER            | COUVERCLE          | DECKEL           |
| 49      | P1010076  | 4    | VITE               | SCREW            | VIS                | SCHRAUBE         |
| 50      | P1080007  | 1    | SPINA ELASTICA     | CLAMPING SLEEVE  | COUPILLE ÉLAST.    | SPANNHÜLSE       |
| 51      | 1020020A1 | 2    | SPESSORE           | SPACER           | RONDELLE           | SCHIBE           |
| 60      | P1070008  | 1    | SEEGER             | CIRCLIP          | ANNEAU SEEGER      | SEEGERRING       |
| 61      | P1020058  | 1    | DISTANZIALE        | SPACER           | DOUILLE            | DISTANZBÜCHSE    |
| 62      | P2020077  | 1    | PANNELLO PER LEVA  | KNOB             | POINGÉE            | ABDECKUNG        |
| 63      | P00046166 | 1    | LEVA POSTERIORE    | LEVER            | LEVIER             | HEBEL            |
| 64      | P01033266 | 2    | PIASTRINA          | PLATE            | PLAQUE             | BLECH            |
| 65      | P1010090  | 4    | VITE               | SCREW            | VIS                | SCHRAUBE         |
| 70      | P3040041  | 1    | FORCELLA INNESTO   | FORK             | FOURCHE            | GABEL            |
| 71      | P1020054  | 1    | RONDELLA           | WASHER           | RONDELLE           | SCHIBE           |
| 72      | P2040010  | 1    | GOMMINO            | SHOCKABSORBEN    | SILENT BLOCK       | SILENTBLOCK      |
| 73      | P00039099 | 1    | SCATOLA            | GEAR BOX HOUSING | BOÎTE À ENGRENAGES | GETRIEBEKASTEN   |
| 74      | P3170011  | 2    | PARAOLIO           | OIL SEAL         | JOINT D'ARBRE      | WELLENDICHRING   |
| 75      | P3040093  | 1    | ALBERO             | SHAFT            | ARBRE              | ACHSE            |
| 76      | P01030065 | 1    | ASSALE POSTERIORE  | REAR AXLE        | ARBRE ARRIÈRE      | ACHSE HINTEN     |
| 77      | P3170013  | 1    | OR                 | O-RING           | JOINT TORIQUE      | O-RING           |
| 79      | P1070004  | 1    | SEEGER             | CIRCLIP          | ANNEAU SEEGER      | SEEGERRING       |
| 80      | P1020051  | 2    | SPESSORE           | SHIM WASHER      | RONDELLE           | AUSGLEICHSCHIBE  |
| 81      | P1020053  | 1    | SPESSORE           | SHIM WASHER      | RONDELLE           | AUSGLEICHSCHIBE  |
| 82      | P00015281 | 1    | RUOTA COMPLETA     | WHEEL ASSY       | ROUE COMPL.        | RAD. KOMPL.      |
| 83      | P1020050  | 2    | RONDELLA ELASTICA  | SPRING WASHER    | RONDELLE ELASTIQUE | FEDERSCHIBE      |
| *       | P00078265 | 1    | RIDUTTORE COMPLETO |                  |                    |                  |

| Ref. N° | Part. N°  | Qty. | Descrizione       | Description   | Description        | Beschreibung  |
|---------|-----------|------|-------------------|---------------|--------------------|---------------|
| 1       | P2020088  | 2    | DISTANZIALE       | SPACER        | DOUILLE            | DISTANZBÜCHSE |
| 2       | P1020050  | 2    | RONDELLA ELASTICA | SPRING WASHER | RONDELLE ÉLASTIQUE | FEDERSCHEIBE  |
| 3       | P1010090  | 4    | VITE              | SCREW         | VIS                | SCHRAUBE      |
| 4       | P01033266 | 2    | PIASTRINA         | PLATE         | PLAQUE             | BLECH         |
| 5       | P01030067 | 1    | ASSALE POSTERIORE | REAR AXLE     | ARBRE ARRIÈRE      | ACHSE HINTEN  |
| 6       | P00046166 | 1    | LEVA POSTERIORE   | LEVER         | LEVIER             | HEBEL         |
| 7       | P2020077  | 1    | POMELLO PER LEVA  | KNOB          | POIGNÉE            | ABDECKUNG     |
| 8       | P1020058  | 1    | DISTANZIALE       | SPACER        | DOUILLE            | DISTANZBÜCHSE |
| 9       | P1070008  | 1    | SEEGER            | CIRCLIP       | ANNEAU SEEGER      | SEEGER RING   |
| 10      | P2020071  | 2    | COPRIRUOTA        | WHEEL COVER   | PROTECTION         | RADDECKEL     |
| 11      | P3030013  | 4    | CUSCINETTO        | BEARING       | PALIER             | LAGER         |
| 12      | P2020079  | 2    | CERCHIO           | RIM           | JANTE              | FELGE         |
| 13      | P2020078  | 2    | COPERTONE         | TYRE          | PNEU               | REIFEN        |
| 14      | 102007A1  | 2    | RONDELLA          | SPACER        | RONDELLE           | SCHEIBE       |
| 15      | 1010018A1 | 2    | VITE              | SCREW         | VIS                | SCHRAUBE      |
| 16      | P2020062  | 2    | COPRIMOZZO        | COVER         | COUVERCLE          | RADDECKEL     |
| *       | P00015181 | 2    | RUOTA COMPLETA    | WHEEL ASSY    | ROUE COMPL.        | RAD KOMPL.    |

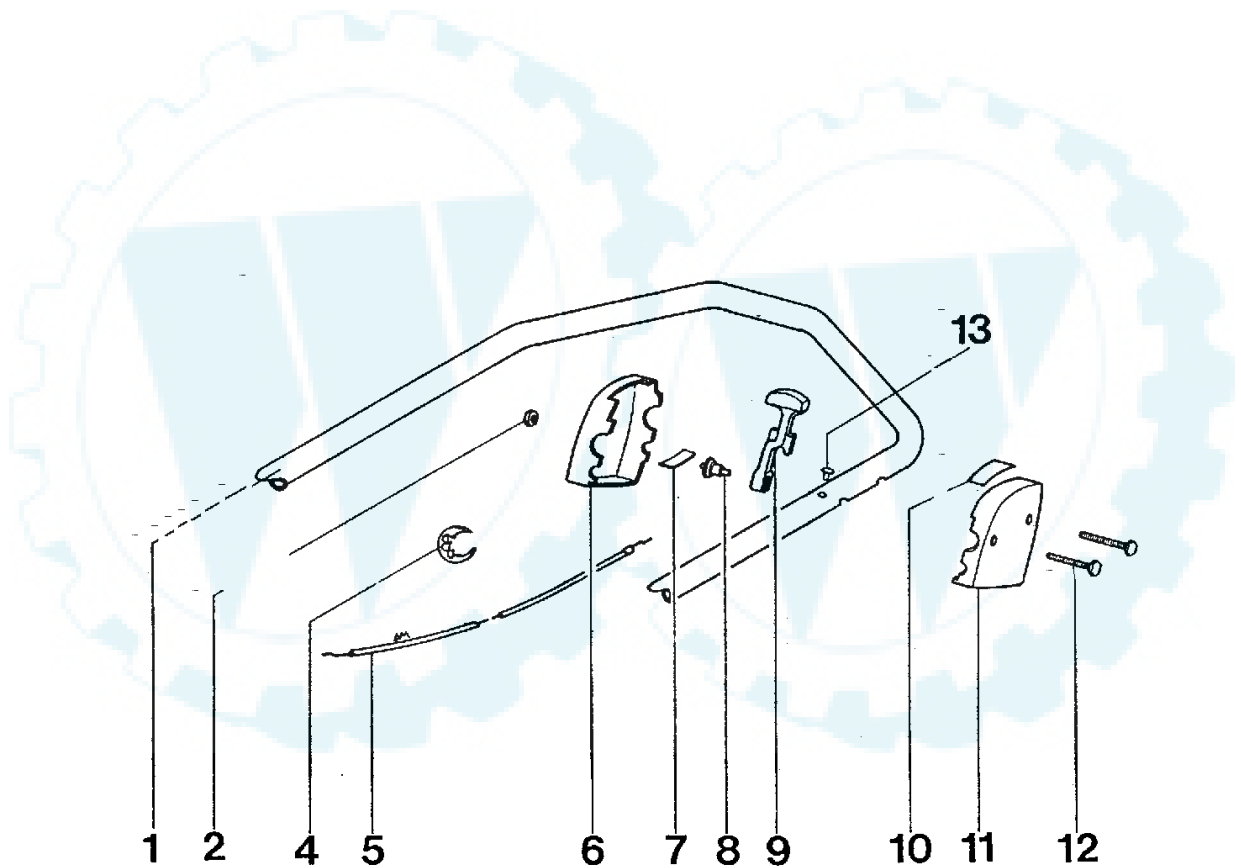


Tav. 3

Vista assale posteriore ENDURO  
 Rear axle ENDURO  
 Essieu arrière ENDURO  
 Hinterachse ENDURO

| Ref. N° | Part. N°  | Qty. | Descrizione           | Description      | Description         | Beschreibung     |
|---------|-----------|------|-----------------------|------------------|---------------------|------------------|
| 1       | P02070161 | 1    | STEGOLE SUP.          | LOWER HANDLE BAR | GRUIDE              | LENKER UNTERTEIL |
| 2       | P1050007  | 2    | DADO M6               | HEX NUT          | ECROU               | MUTTER           |
| 4       | P2020080  | 1    | FERMO CAVO            | CLIP             | CLIP                | HALTER           |
| 5       | P5020028  | 1    | CAVO ACC. x4201       | CABLE x4201      | CABLE x4201         | KABEL x4201      |
| 5       | P5020027  | 1    | CAVO ACC. x4203       | CABLE x4203      | CABLE x4203         | KABEL x4203      |
| 6       | P2020106  | 1    | SEMISCATOLA DX.       | SHELL            | BOÎTE               | SCHALE           |
| 7       | P4010059  | 1    | MOLLA                 | SPRING           | RESSORT             | FEDER            |
| 8       | P2020108  | 1    | PERNO                 | BOLT             | BOULON              | BOLZEN           |
| 9       | P00065099 | 1    | LEVA                  | LEVER            | LEVIER              | HEBEL            |
| 10      | P5140516  | 1    | DECALCO               | STICKER          | ETIQUETTE           | AUFKLEBER        |
| 10      | P5140515  | 1    | DECALCO               | STICKER          | ETIQUETTE           | AUFKLEBER        |
| 11      | P2020107  | 1    | SEMISCATOLA SX.       | SHELL            | BOÎTE               | SCHALE           |
| 12      | P1010102  | 2    | VITE 6x35             | SCREW 6x35       | VIS 6x35            | SCHRAUBE 6x35    |
| 13      | 5060001A1 | 1    | TAPPINO               | TAP              | BOUCHON             | STOPFEN          |
| *       | P00035099 | —    | SCATOLA ACC. COMPLETA | ACC. ASSY        | ACCELERATEUR COMPL. | GASHEBEL KOMPL.  |

P502032 CAVO ACC. 4211



Tav. 4

Vista stegola superiore e comandi ENDURO

Upper handle and controls ENDURO

Mancheron partie supérieur et éléments de commande ENDURO

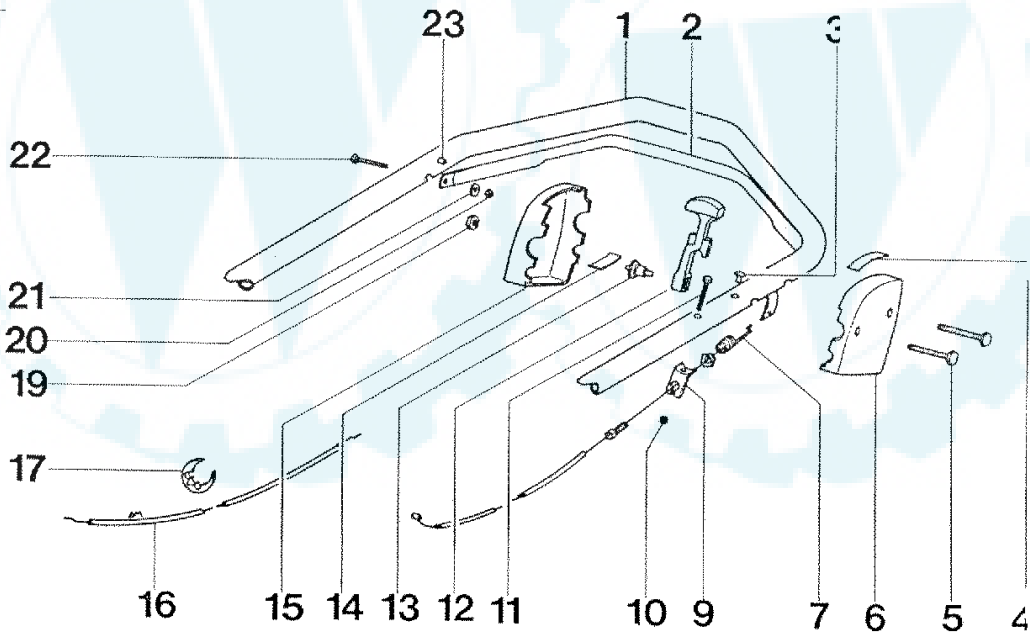
Lenkeroberteil und Bedienungselemente ENDURO

Ihr Ersatzteilspezialist im Internet



| Ref. N° | Part. N°  | Qty. | Descrizione           | Description      | Description         | Beschreibung     |
|---------|-----------|------|-----------------------|------------------|---------------------|------------------|
| 1       | P02070161 | 1    | STEGOLA SUP.          | UPPER HANDLE BAR | GUIDON              | LENKER OBERTEIL  |
| 2       | P02042081 | 1    | MANIGLIA              | LEVER            | LEVIER              | HEBEL            |
| 3       | 5060001A1 | 1    | TAPPINO               | TAP              | BOUCHON             | STOPFEN          |
| 4       | P5140516  | 1    | DECALCO               | STICKER          | ETIQUETTE           | AUFKLEBER        |
| 4       | P5140515  | 1    | DECALCO               | STICKER          | ETIQUETTE           | AUFKLEBER        |
| 5       | P1010102  | 2    | VITE                  | SCREW            | VIS                 | SCHRAUBE         |
| 6       | P2020107  | 1    | SEMISCATOLA SX.       | SHELL            | BOÎTE               | SCHALE           |
| 7       | P5010014  | 1    | CAVO TRAZIONE         | TRACTION CABLE   | CABLE TRACTION      | KABELFAHRANTRIEB |
| 9       | P4010060  | 1    | PIASTRINA             | PLATE            | PLAQUE              | BLECH            |
| 10      | 1050003A1 | 1    | DADO                  | NUT              | ECROU               | MUTTER           |
| 11      | P1010078  | 1    | VITE                  | SCREW            | VIS                 | SCHRAUBE         |
| 12      | P00065099 | 1    | LEVA                  | LEVER            | LEVIER              | HEBEL            |
| 13      | P2020108  | 1    | PERNO                 | BOLT             | BOULON              | BOLZEN           |
| 14      | P4010059  | 1    | MOLLA                 | SPRING           | RESSORT             | FEDER            |
| 15      | P2020106  | 1    | SEMISCATOLA DX        | SHELL            | BOÎTE               | SCHALE           |
| 16      | P5020028  | 1    | CAVO ACC. 4207        | CABEL 4207       | CABLE 4207          | KABEL 4207       |
| 17      | P2020080  | 2    | FERMO CAVO            | CLIP             | CLIP                | HALTER           |
| 19      | P1050007  | 2    | DADO                  | NUT              | ECROU               | MUTTER           |
| 20      | 1050002A1 | 2    | DADO                  | NUT              | ECROU               | MUTTER           |
| 21      | P1020055  | 2    | RONDELLA              | WASHER           | RONDELLE            | SCHIBE           |
| 22      | 1010002A1 | 2    | VITE                  | SCREW            | VIS                 | SCHRAUBE         |
| 23      | P2020076  | 2    | DISTANZIALE           | SPACER           | RONDELLE            | DISTANZRING      |
| *       | P00035099 | —    | SCATOLA ACC. COMPLETA | ACC. ASSY        | ACCELERATEUR COMPL. | GASHEBEL KOMPL.  |

105223A



Tav. 5

Vista stegola superiore e comandi COUNTRY

Upper handle and control COUNTRY

Mancheron partie supérieure et éléments de commande COUNTRY

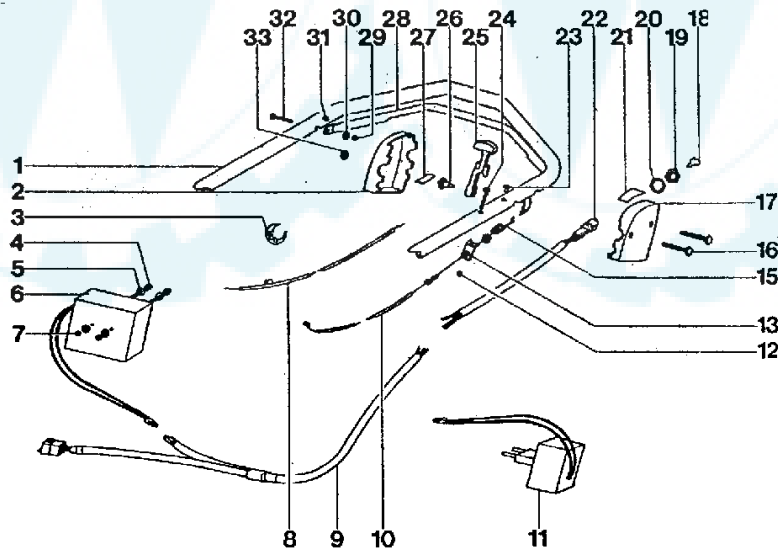
Lenkeroberteil und Bedienungselemente COUNTRY

Ihr Ersatzteilspezialist im Internet



| Ref. N° | Part. N°  | Qty. | Descrizione           | Description      | Description    | Beschreibung    |
|---------|-----------|------|-----------------------|------------------|----------------|-----------------|
| 1       | P02070161 | 1    | STEGOLA SUPERIORE     | UPEPR HANDLE BAR | GUIDON         | LENKER OBERTEIL |
| 2       | P2020106  | 1    | SEMISCATOLA DX.       | SHELL            | BOÎTE          | SCHALE          |
| 3       | P2020080  | 2    | FERMOCOVO             | CLIP             | CLIP           | HALTER          |
| 4       | P1010077  | 2    | VITE                  | SCREW            | VIS            | SCHRAUBE        |
| 5       | P1020055  | 2    | RONDELLA              | WASHER           | RONDELLE       | SCHEIBE         |
| 6       | P5030008  | 1    | BATTERIA              | BATTERY          | BATTERIE       | BATTERIE        |
| 7       | 1050002A1 | 2    | DADO                  | NUT              | ECROU          | MUTTER          |
| 8       | P5020027  | 1    | CAVO ACC. 4213        | CABEL 4213       | CABLE 4213     | KABEL 4213      |
| 9       | P5030006  | 1    | CAVO ELETTRICO        | EL. CABLE        | CABLE EL.      | EL. KABEL       |
| 10      | P5010014  | 1    | CAVO TRAZIONE         | CABLE            | CABLE          | KABEL           |
| 11      | P5030009  | 1    | CARICA BATTERIA       | CHARGER          | CHARGEUR       | CADEGERÄT       |
| 12      | 1050003A1 | 1    | DADO                  | NUT              | ECROU          | MUTTER          |
| 13      | P4010060  | 1    | PIASTRINA             | PLATE            | PLAQUE         | BLECH           |
| 14      | ---       | ---  | ---                   | ---              | ---            | ---             |
| 15      | ---       | ---  | ---                   | ---              | ---            | ---             |
| 16      | P1010102  | 2    | VITE                  | SCREW            | VIS            | SCHRAUBE        |
| 17      | P2020107  | 1    | SEMISCATOLA SX.       | SHELL            | BOÎTE          | SCHALE          |
| 18      | P5030011  | 1    | CHIAVE                | KEY              | CLEF           | SCHLÜSSEL       |
| 19      | ---       | ---  | ---                   | ---              | ---            | ---             |
| 20      | ---       | ---  | ---                   | ---              | ---            | ---             |
| 21      | P5140516  | 1    | DECALCO               | STICKER          | MARQUAGE       | AUFKLEBER       |
| 22      | P5030010  | 1    | BLOCCHETTO COMPLETO   | CABLE ASSY       | CABLE COMPL.   | KABEL KOMPL.    |
| 23      | 5060001A1 | 1    | TAPPINO               | TAP              | BOUCHON        | STOPFEN         |
| 24      | P1010078  | 1    | VITE                  | SCREW            | VIS            | SCHRAUBE        |
| 25      | P00065099 | 1    | LEVA                  | LEVER            | LEVIER         | HEBEL           |
| 26      | P2020108  | 1    | PERNO                 | BOLT             | BOULON         | BOLZEN          |
| 27      | P4010059  | 1    | MOLLA                 | SPRING           | RESSORT        | FEDER           |
| 28      | P02042081 | 1    | MANIGLIA              | HANDLE           | LEVIER         | GRIFF           |
| 29      | 1050002A1 | 2    | DADO                  | NUT              | ECROU          | MUTTER          |
| 30      | P1020055  | 2    | RONDELLA              | WASHER           | RONDELLE       | SCHEIBE         |
| 31      | P2020076  | 2    | DISTANZIALE           | SPACER           | RONDELLE       | DISTANZRING     |
| 32      | 1010002A1 | 2    | VITE                  | SCREW            | VIS            | SCHRAUBE        |
| 33      | P1050007  | 2    | DADO                  | NUT              | ECROU          | MUTTER          |
| *       | P00035099 | ---  | SCATOLA ACC. COMPLETA | E-START ASSY     | E-START COMPL. | E-START KOMPL.  |

105003A1



Tav. 6

Vista stegola superiore e comandi COUNTRY ELECTRIC START

Upper handle and controls COUNTRY ELECTRIC START

Mancheron partie supérieure et éléments de commande

COUNTRY ELECTRIC START

Lenkeroberteil und Bedienungselemente COUNTRY ELECTRIC START

Tav. 1

Vista generale ENDURO-COUNTRY  
Complete machine ENDURO-COUNTRY  
Vue d'ensemble ENDURO-COUNTRY  
Gesamtansicht ENDURO-COUNTRY

